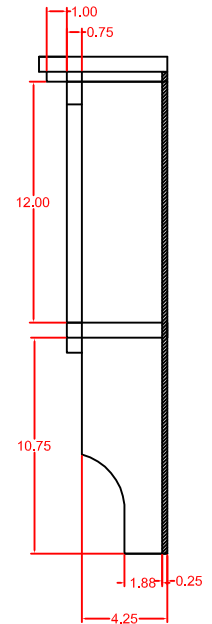
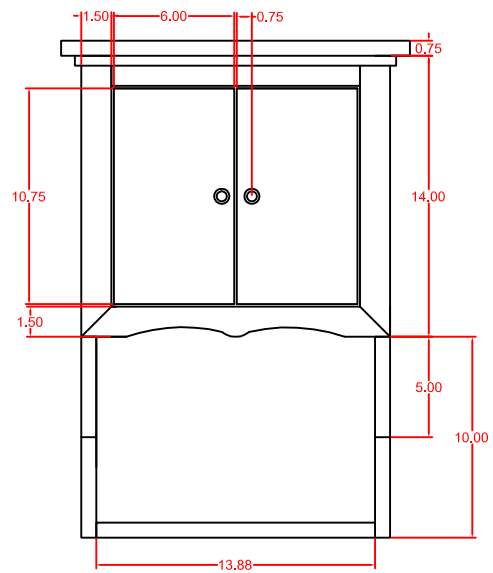


NOTE:
1. ALL DIMENSIONS ARE IN IMPERIAL MEASUREMENTS.
2. STOCK IS 0.75 (3/4)" THICK



PROJECT NAME:
PROTOTYPE CABINET

DRAFTED BY:
T. STEEVES FOR J. CLARK
DESIGNED BY:
ZACK HANLEY

DATE:
MARCH 3, 2015

