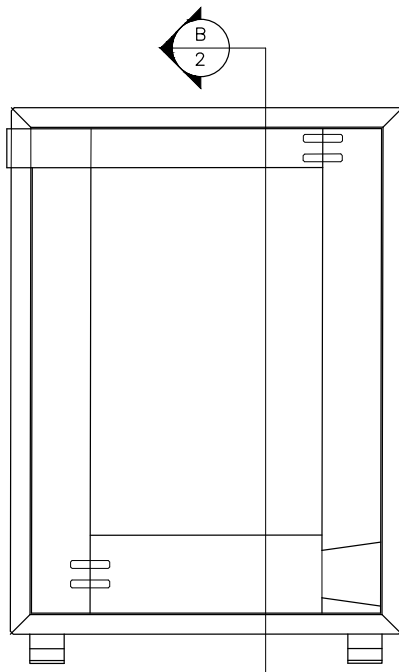
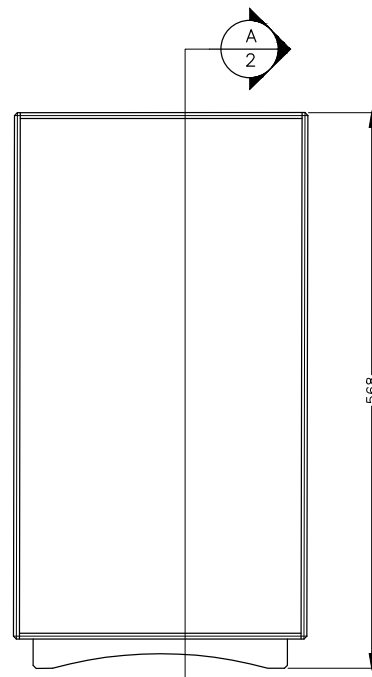


PLAN VIEW  
SCALE = 1:5



ELEVATION  
SCALE = 1:5



SIDE VIEW  
SCALE = 1:5

NOTES:

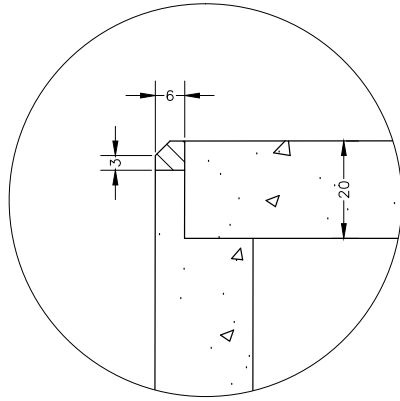
- ALL CHAMFERS 3 MM X 3 MM UNLESS OTHERWISE NOTED
- ACOUME TO BE USED FOR ALL SOLID
- SHEET GOOD THICKNESS MAY VARY. CONFIRM WITH ACTUAL MATERIAL
-

END\_TABLE

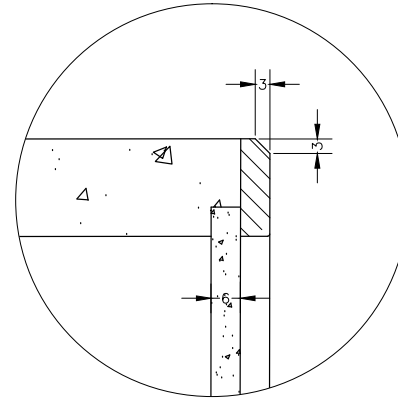
NOTES:

- ALL CHAMFERS 3 MM X 3 MM UNLESS OTHERWISE NOTED
- ACOUCHE TO BE USED FOR ALL SOLID
- SHEET GOOD THICKNESS MAY VARY. CONFIRM WITH ACTUAL MATERIAL

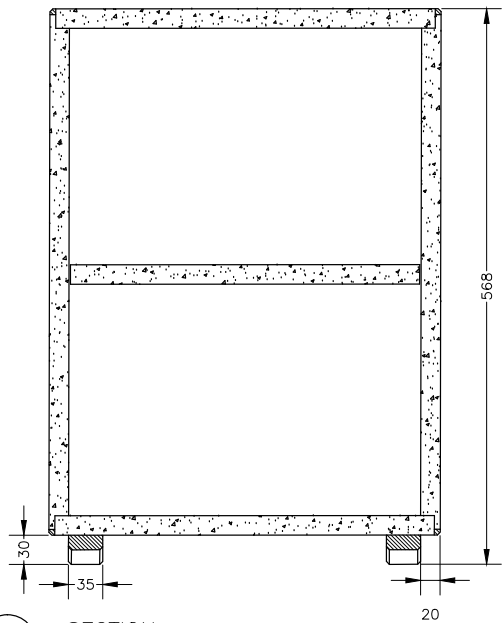
ALL DIMENSIONS IN METRIC



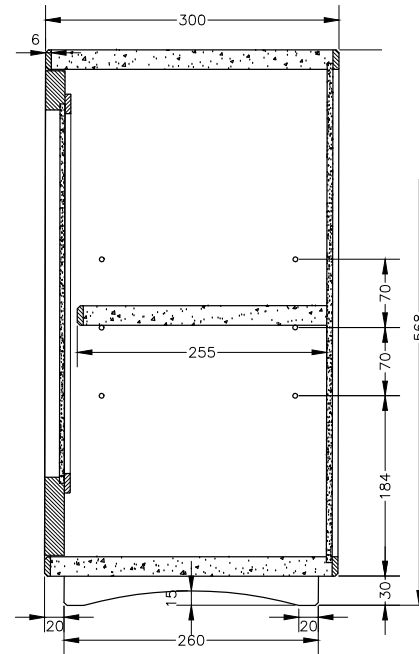
CORNER FRONT DETAIL  
SCALE = 1:1



SIDE APRON DETAIL  
SCALE = 1:1



A SECTION  
2 SCALE = 1:5



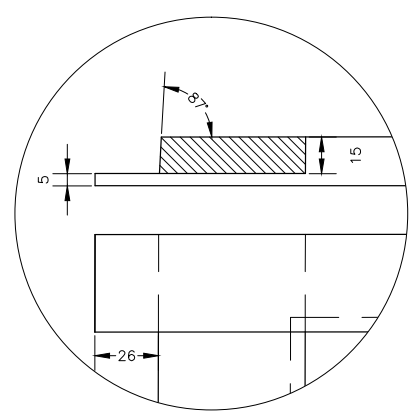
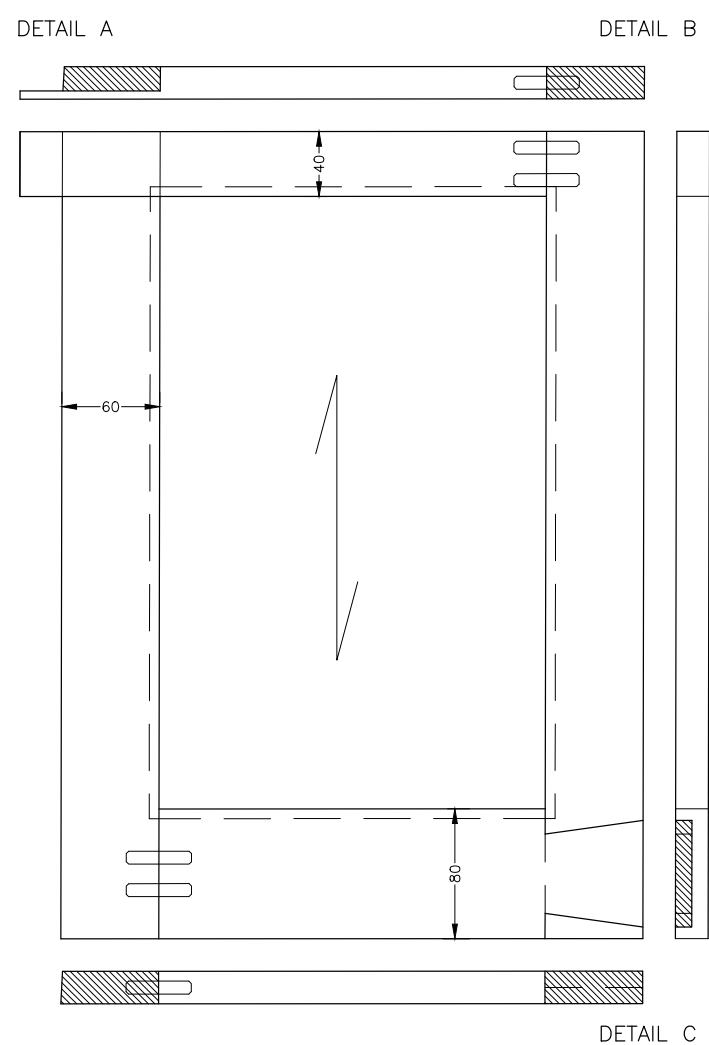
B SECTION  
2 SCALE = 1:5

END\_TABLE

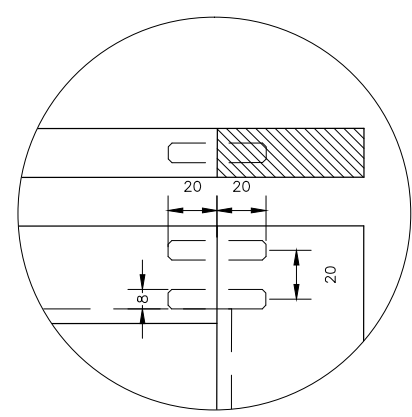
NOTES:

- ALL CHAMFERS 3 MM X 3 MM UNLESS OTHERWISE NOTED
- ACOUME TO BE USED FOR ALL SOLID
- SHEET GOOD THICKNESS MAY VARY. CONFIRM WITH ACTUAL MATERIAL

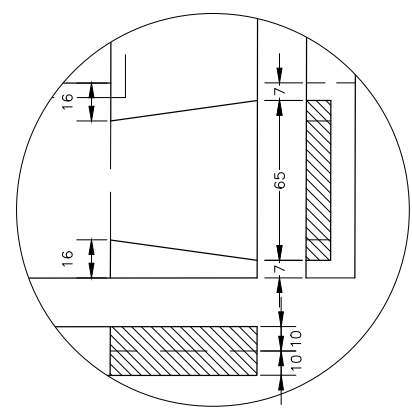
ALL DIMENSIONS IN METRIC



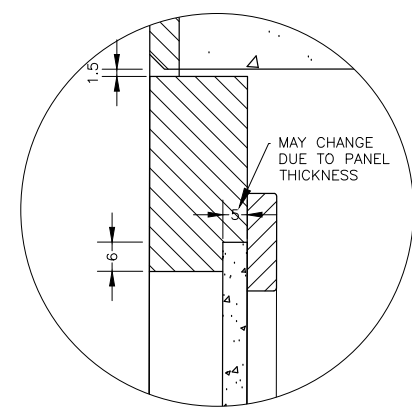
DETAIL  
SCALE = 1:2



DETAIL  
SCALE = 1:2



DETAIL  
SCALE = 1:2



DOOR PANEL DETAIL  
SCALE = 1:1

A DOOR  
 2 SCALE = 1:3